

DriveWorks Case Study

- ACTUATOR AND MOTOR MANUFACTURER

DriveWorks—Online Sales Configurator & Design Automation

Exlar Corporation reveals time savings using DriveWorksXpress

EXLAR Exlar Corporation designs and manufactures roller screw linear actuators, rotary servo motors and electronic products for motion control applications.

The customer has the option to put any motor on this product line and because of this, there is a list of things that can vary with the motor plate:

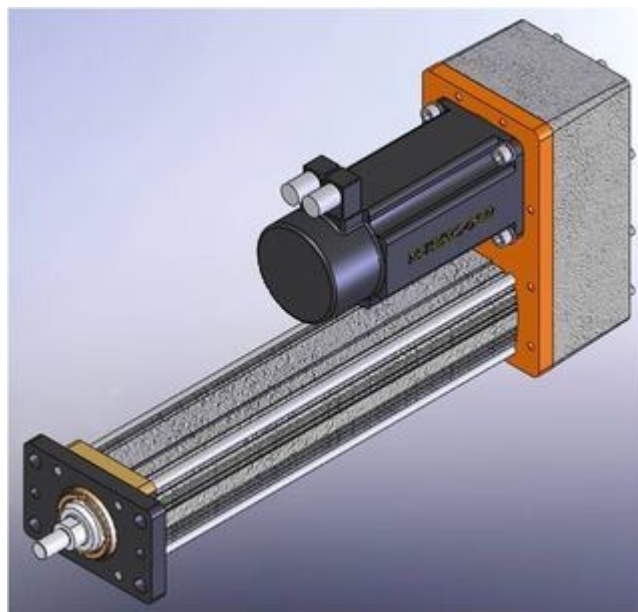
- Pulley center to center distance
- Motor mounting screws bolt circle
- Motor pilot diameter and depth
- Size of the motor mounting screws

There are two steps to using Design Automation with DriveWorksXpress:

1. Setting Up the Project
2. Running the Project

Once you have decided what things can change, identify and capture those things from your SolidWorks model, make sure you have a drawing, create a form and build your rules.

Then simply fill out your form with the specification for



your new variation. Your new part will now have all the new dimensions you entered.

DriveWorksXpress is Easy To Use and Accessible

Exlar Corporation have found DriveWorksXpress really easy to setup and use. They are now in the process of installing DriveWorks Solo because of the “ease of use and time savings” of the DriveWorks software.

DriveWorks is now accessible to all SolidWorks users at Exlar Corporation, meaning that DriveWorks is very cost effective. They can now produce an “unlimited” number of variations for their designs with DriveWorks and are now adding more products and rules.

Time saving metrics

Previous system: 30 minutes—1 hour

DriveWorks: 5 minutes

Exlar Corporation set up DriveWorks in 2 hours.

